

This quick start guide provides instructions for setting up a basic HG-100K, HG-LE, HG-XR, HG-XL, HG-TH, or HG-CH camera system. For additional information, please consult the user's manual included on the *MotionCentral*™ CD, or download a copy from the Redlake FTP site, <ftp://ftp.redlake.com/motion>

Equipment Required for Setup

User Supplied Items

- CCU (Camera Control Unit) – a PC running Windows 2000 or XP
- Power Supply (except HG-XR/XL)

Redlake Package Contents

- *MotionCentral* software CD with user's manual
- HG-100K/LE/XR/XL/TH/CH Camera(s)
- Camera Controller (HG-TH/CH models only)
- C-mount lens adapter (C-mount and F-mount with HG-100K/XR/XL)
- 10m Rugged Ethernet Cable
- Power Supply (XR/XL only)
- Power pigtail
- Mounting plate (except HG-TH/CH)
- GPS antenna (HG-XR/XL only)
- Case (HG-XR/XL only)

Optional Equipment

- DCU (Display Control Unit) a portable or tablet PC
- HSU (Hub Sync Unit)
- Sync/Trigger/Power Cables (STP)

Setting up Camera Communications

This quick start guide includes instructions for setting up communications between the CCU/DCU (PC) and a single camera or a HG-TH Camera Controller with multiple camera heads. For ease of set up, the 100Base-TX port will be used in the steps below. The 100Base-TX port is used for setup and configuration of the camera. The 1000Base-T Camera LAN Connector is used for configurations with multiple camera.

NOTE: For setting up multiple-camera configurations or IRIG and GPS options please refer to the user's manual.

HG-100K/LE/XR/XL Single Camera Setup

Connect the Camera to the CCU/DCU (PC)

1. Connect the Ethernet cable to the 100Base-TX DCU port on the HG-100K/LE/XR/XL camera and connect the other end to the Ethernet port on the CCU/DCU (PC).
2. The CCU/DCU (PC) will automatically obtain its IP address from the DHCP server in the HG-100K/LE/XR camera. From the Microsoft Windows Control Panel on the CCU/DCU (PC), select Network and Internet Connections > Network Connections > double-click the Camera LAN connection icon > click on the Properties button > select Internet TCP/IP > click on the Properties button > and select Obtain IP Address Automatically (exact steps will depend on your operating system).

HG-100K/LE/XR/XL Hardware Setup

1. Connect one end of the STP cable to the STP port on the camera and the other end to the power source (for more information, see Power Supply and Power Pigtail Pinout in the user's manual). The COM LED will be lit solid green when the camera receives power.

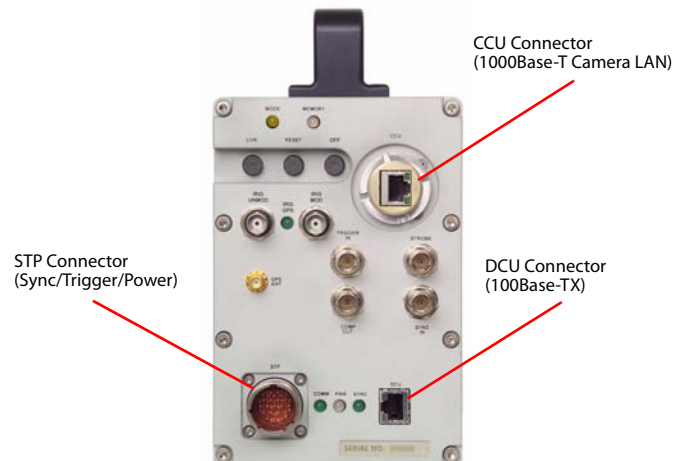


Figure 1: HG-XR back panel connectors

HG-TH Single Camera Controller Setup

1. Connect the camera cable(s) to the Camera Head(s). Connect the other end(s) to the HD port(s) on the Camera Controller.
2. Connect the Camera Controller to the power source (for more information, see Power Supply and Power Pigtail Pinout in the user's manual). The COM LED will be lit solid green when the camera receives power.

Connect the Camera Controller to the CCU/DCU (PC)

1. Connect the Ethernet cable to the 100Base-TX DCU port on the Camera Controller and connect the other end to the Ethernet port on the CCU/DCU (PC).
2. The CCU/DCU (PC) will automatically obtain its IP address from the DHCP server. From the Microsoft Windows Control Panel on the CCU/DCU (PC), select Network and Internet Connections > Network Connections > double-click the Camera LAN connection icon > click on the Properties button > select Internet TCP/IP > click on the Properties button > and select Obtain IP Address Automatically (exact steps will depend on your operating system).

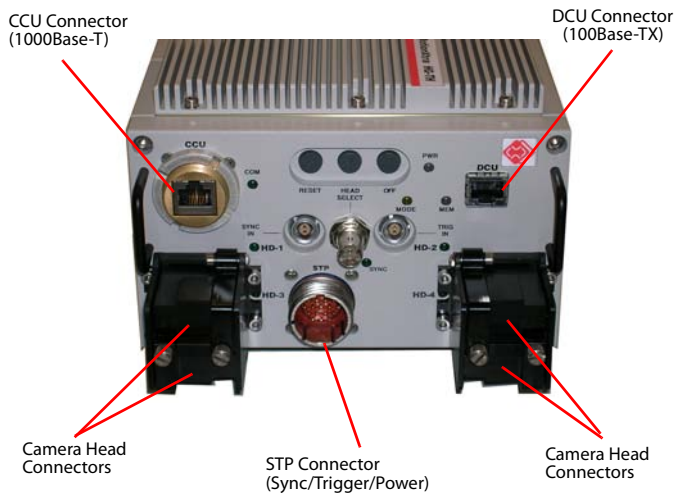


Figure 2: HG-TH Controller back panel connectors

Before the Initial Use of the Backup Battery

1. Charge the battery fully (POWER LED will be solid green).
2. Allow the battery to fully discharge by unplugging the camera or Camera Controller from the power source (POWER LED will be solid red).
3. Charge the battery.

NOTE: If you are running Windows XP with SP2 disable the Firewall component.

Install the *MotionCentral* Software

The CCU/DCU (PC) must be running either Windows XP SP2, Windows 2000 Pro (SP2) or higher. In addition, Microsoft .NET Framework 2.0 or later support must be installed before *MotionCentral* can be installed.

1. Insert the CD into the computer's CD-ROM drive. If the computer is configured for autorun, the installer will run automatically. If not, select the *MotionCentral* folder and double-click SETUP . EXE from the file list.

The program will solicit a pathname for the location of its files. The default path is C : \PROGRAM FILES\REDLAKE, but another path can be specified if desired.

2. Exit when the installation is complete.

.NET Framework Installation (Install only if prompted to do so during the *MotionCentral* installation!)

1. Insert the CD into the computer's CD-ROM drive and open the Required Software folder. Double-click the file DOTNETFX . EXE. This will launch the .NET installer.
2. Once the installation is complete, you may need to reboot your system.

Using *MotionCentral* Camera Control Software

1. Double Click the MotionCentral icon. Or, from the Windows Taskbar, select Start > All Programs > MotionCentral.
2. From the Main Menu, select File > Setup to bring up the Configuration dialog box.
3. From the Network Adapter drop-down list, select the adapter to be used by the Camera LAN. Make certain that the adapter matches the NIC card connected to the Camera LAN.
4. When *MotionCentral* is launched the Camera List window appears, along with the Control Panel and System Status window. Use the View menu to open and close *MotionCentral*'s windows.

To Select a Camera and Open a Live View Window

1. Locate the desired camera's icon in the Camera List window.
2. If an exclamation point icon appears on the Thumbnail window, click the icon to attach the camera to the CCU/DCU (PC).
3. Click the Thumbnail window to select it. The window frame will turn yellow when selected. Any control or status operation command will apply to that camera. To select more than one camera at a time, hold down the Ctrl key on the keyboard and click on the Thumbnail windows.
4. Double-click the camera Thumbnail image to start a Live View window.

Record an Event

1. Using the Camera Control Panel, select the Mode and Resolution.
2. Set the exposure to Live Normal.
3. Set the Session Length.
4. Set the Frame Rate for Pre-, Post1-, and Post2- Triggers.
5. Set the trigger position by using the slider tabs on the Trigger slider bar to divide the session length.
6. Click on the Record button to put the camera in Ready state.
7. Click on the Trigger button to begin image acquisition.

To Playback an Image Sequence

1. Once the camera has stopped recording, a small icon of a film reel will appear in the upper left-hand corner of the camera Thumbnail window.
2. Right click on the icon and select Play. This will open a window similar to Live View, with playback and color correction controls.